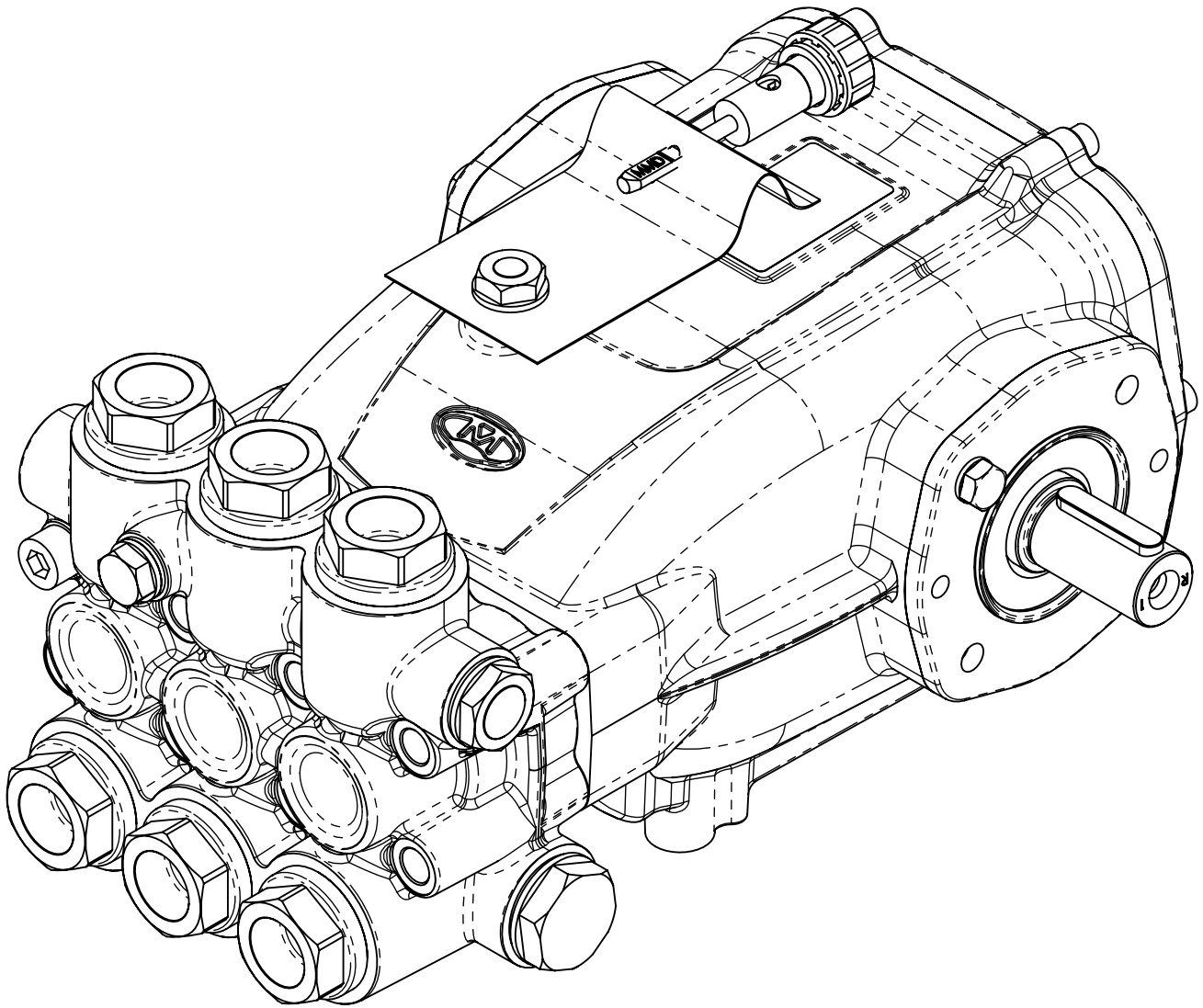


# GM "CW" $\varnothing 25$ - $\varnothing 28$



General table

Model	Pressure (Bar)	Pressure (Psi)	Flow Rate 1450 rpm (Lit/min)	Flow Rate 1740 rpm (Lit/min)	Flow Rate 1450 rpm (gpm)	Flow Rate 1740 rpm (gpm)	Round 50Hz (RPM)	Round 60Hz (RPM)	Power 50Hz (Hp)	Power 50Hz (Kw)	Power 60Hz (Hp)	Power 60Hz (Kw)
GM "CW"35170 (R-L)	170	2465.64	35.00	42.00	9.25	11.10	1450	1740	15.45	11.51	18.55	13.82
GM "CW"40170 (R-L)	170	2465.64	40.00	48.00	10.57	12.68	1450	1740	17.66	13.16	21.19	15.79
GM "CW"43170 (R-L)	170	2465.64	43.00	51.60	11.36	13.63	1450	1740	18.99	14.15	22.78	16.97
GM "CW"50150 (R-L)	150	2175.57	50.00	60.00	13.21	15.85	1450	1740	19.48	14.51	23.38	17.42
GM "CW"54150 (R-L)	150	2175.57	54.00	64.80	14.27	17.12	1450	1740	21.04	15.67	25.25	18.81
GM "CW"63150 (R-L)	150	2175.57	63.00	75.60	16.64	19.97	1450	1740	24.54	18.30	29.45	21.96

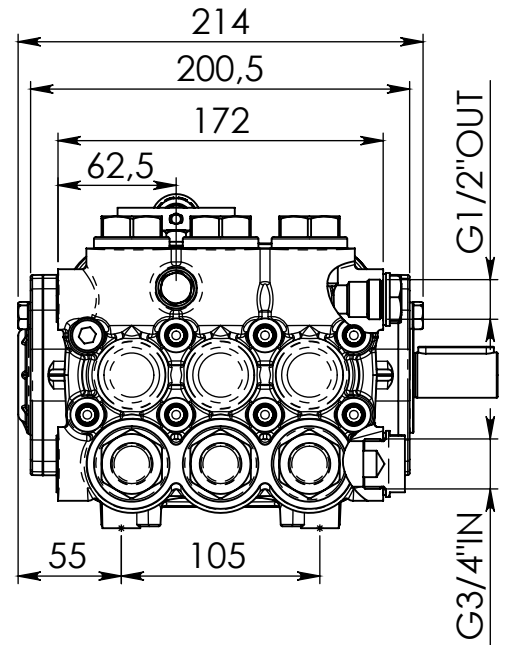
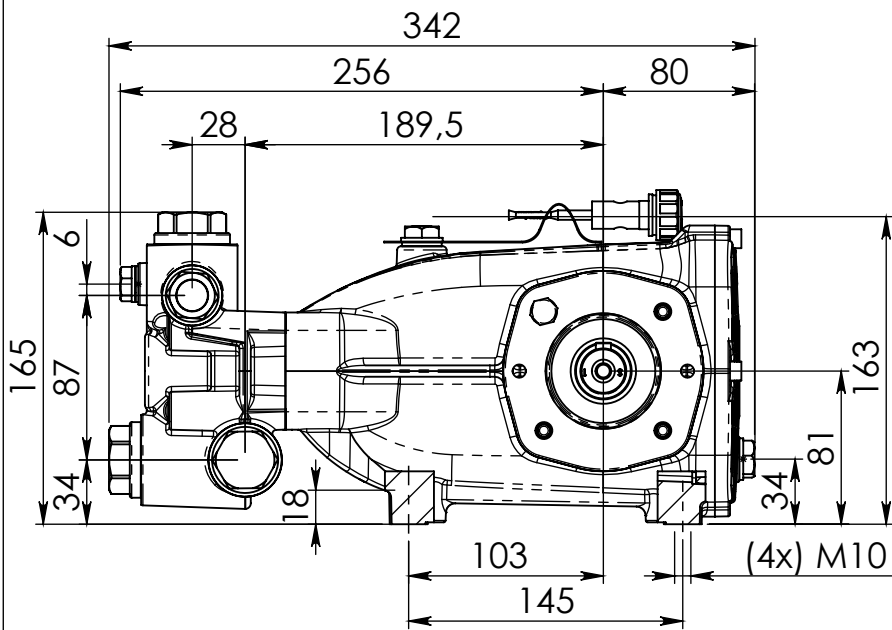




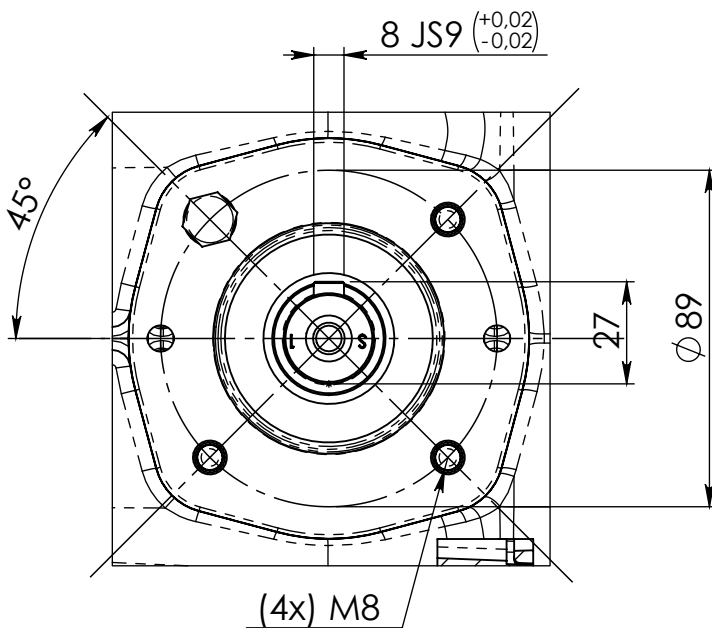
Pos.	GM "CW" 35170 (R-L) Q.TY	GM "CW" 40170 (R-L) Q.TY	GM "CW" 43170 (R-L) Q.TY	GM "CW" 50150 (R-L) Q.TY	GM "CW" 54150 (R-L) Q.TY	GM "CW" 63150 (R-L) Q.TY	Code	ITALIANO	ENGLISH	DEUTSCH	ESPAÑOL	FRANCAIS
2	1	1	1	1	1	1	P0.020.004	Olio o Lubrificante GM/XM	Oil or Lubricants GM/XM	Öl oder Schmierstoffe GM/XM	Aceite o lubricante GM/XM	ÖlHuile ou lubrifiant GM/XM
3	3	3	3	3	3	3	P1.003.004	Rondella	Washer	Unterlegscheibe	Arandela	Rondelle
4	1	1	1	1	1	1	P1.012.052	Tappo	Cap	Deckel	Tapón	Bouchon
5	1	1	1	1	1	1	P1.020.004	Corpo Pompa GM1 XM-1	Pump Body GM1 XM-1	Pumpenkörper GM1 XM-1	Cuerpo de la bomba GM1 XM-1	Corps de pompe GM1 XM-1
6	1	1	1	1	1	1	P1.060.005	Distanziale 0,1mm	Spacer 0,1mm	Distanzstueck 0,1mm	Distanciador 0,1mm	Entretoise 0,1mm
7	1	1	1	1	1	1	P1.060.006	Distanziale sp. 0.2mm	Spacer sp. 0.2mm	Distanzstueck sp. 0.2mm	Distanciador sp. 0.2mm	Entretoise sp. 0.2mm
8	3	3	3	-	-	-	P1.071.008	Pistone GM-1 ø25	Piston GM-1 ø25	Kolben GM-1 ø25	Pistón GM-1 ø25	Piston GM-1 ø25
9	-	-	-	3	3	3	P1.071.011	Pistone GM-1 ø28	Piston GM-1 ø28	Kolben GM-1 ø28	Pistón GM-1 ø28	Piston GM-1 ø28
10	1	1	1	1	1	1	P2.012.005	Coperchio GM-1/XM-1	Cover GM-1/XM-1	Deckel GM-1/XM-1	Tapa GM-1/XM-1	Couvercle GM-1/XM-1
11	1	1	1	1	1	1	P2.013.027	Tappo 3/4" GAS	Cap 3/4" GAS	Deckel 3/4" GAS	Tapón 3/4" GAS	Bouchon 3/4" GAS
12	1	1	1	1	1	1	P2.013.028	Tappo 1/2" GAS	Cap 1/2" GAS	Deckel 1/2" GAS	Tapón 1/2" GAS	Bouchon 1/2" GAS
13	1	1	1	1	1	1	P2.013.037	Tappo MMD GM XM	Cap MMD GM XM	Deckel MMD GM XM	Tapón MMD GM XM	Bouchon MMD GM XM
14	1	-	-	-	-	-	P2.014.007	Albero ec. 8.5	Shaft ec. 8.5	Welle ec. 8.5	Eje ec. 8.5	Arbre ec. 8.5
15	-	1	-	1	-	-	P2.014.008	Albero ec. 9.9	Shaft ec. 9.9	Welle ec. 9.9	Eje ec. 9.9	Arbre ec. 9.9
16	-	-	1	-	1	-	P2.014.009	Albero ec. 10.7	Shaft ec. 10.7	Welle ec. 10.7	Eje ec. 10.7	Arbre ec. 10.7
17	-	-	-	-	-	1	P2.014.010	Albero ec. 12.75	Shaft ec. 12.75	Welle ec. 12.75	Eje ec. 12.75	Arbre ec. 12.75
18	1	1	1	-	-	-	P2.035.030	Testata pompa ø25 GM-CW	Pump head ø25 GM-CW	Pumpekopf ø25 GM-CW	Cabeza bomba ø25 GM-CW	Tete de pompe ø25 GM-CW
19	-	-	-	1	1	1	P2.035.031	Testata pompa ø28 GM-CW	Pump head ø28 GM-CW	Pumpekopf ø28 GM-CW	Cabeza bomba ø28 GM-CW	Tete de pompe ø28 GM-CW
20	1	1	1	1	1	1	P2.060.003	Flangia P.d.F. GM-1 - XM-1	Flange P.T.O. GM-1 - XM-1	Flansch PTO GM-1 - XM-1	Brida toma de fuerza GM-1 - XM-1	Bride prise de force GM-1 - XM-1
21	1	1	1	1	1	1	P2.060.004	Flangia chiusa GM-1 - XM-1	Flange closed GM-1 - XM-1	Flansch geschlossen GM-1 - XM-1	Brida cerrada GM-1 - XM-1	Bride fermée GM-1 - XM-1
22	8	8	8	8	8	8	P2.119.002	Vite M8X22	Screw M8X22	Schrauben M8X22	Tornillo M8X22	Vis M8X22
23	8	8	8	8	8	8	P2.119.004	Vite M10X80	Screw M10X80	Schrauben M10X80	Tornillo M10X80	Vis M10X80
24	3	3	3	3	3	3	P2.119.005	Vite M6X60	Screw M6X60	Schrauben M6X60	Tornillo M6X60	Vis M6X60
25	3	3	3	3	3	3	P2.150.007	Biella GM-1 / XM-1	Connecting rod GM-1 / XM-1	Plenelstange GM-1 / XM-1	Biela GM-1 / XM-1	Bielle GM-1 / XM-1
26	6	6	6	6	6	6	P4.002.010	Vite M6x20 UNI 5931-67	Screw M6x20 UNI 5931-67	Schrauben M6x20 UNI 5931-67	Tornillo M6x20 UNI 5931-67	Vis M6x20 UNI 5931-67
27	6	6	6	6	6	6	P4.002.017	Vite TCEI M8x40 UNI5931-67	Screw TCEI M8x40 UNI5931-67	Schrauben TCEI M8x40 UNI5931-67	Tornillo TCEI M8x40 UNI5931-67	Vis TCEI M8x40 UNI5931-67
28	1	1	1	1	1	1	P4.005.041	Guarnizione OR	Gasket OR	Dichtung OR	Guarnición OR	Garniture OR
29	3	3	3	3	3	3	P4.015.004	Anello D32-d22x5.5	Ring D32-d22x5.5	Ring D32-d22x5.5	Anillo D32-d22x5.5	Bague D32-d22x5.5
30	-	-	1	-	1	1	P4.021.002	Chiavetta 8x7x50 UNI6604-A	Key 8x7x50 UNI6604-A	Keil 8x7x50 UNI6604-A	Chaveta 8x7x50 UNI6604-A	Clavette 8x7x50 UNI6604-A
31	1	1	-	1	-	-	P4.021.003	Chiavetta 8x7x40 UNI6604-A	Key 8x7x40 UNI6604-A	Keil 8x7x40 UNI6604-A	Chaveta 8x7x40 UNI6604-A	Clavette 8x7x40 UNI6604-A

# GM "CW" $\varnothing 25$ - $\varnothing 28$ Drawing

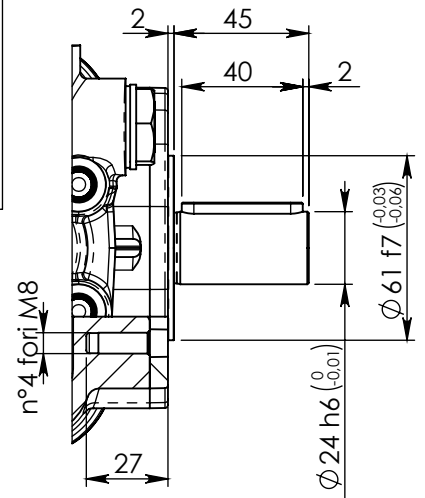
## Disegno GM "CW" $\varnothing 25$ - $\varnothing 28$



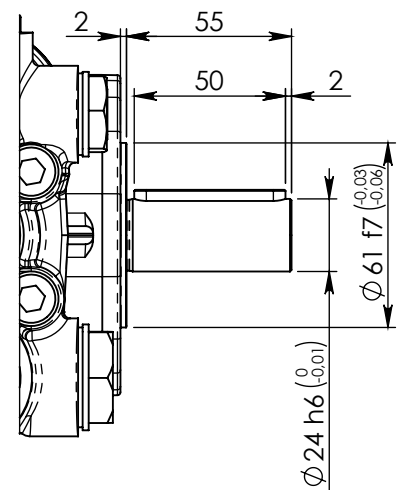
### Detailed flange view Vista dettagliata flangia



-GM 35/170  
-GM 40/170  
-GM 50/150

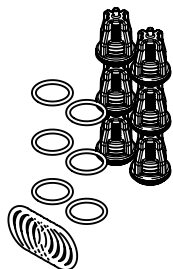


-GM 43/170  
-GM 54/150  
-GM 63/150



# Spare parts GM "CW" ø25

## Ricambi GM "CW" ø25



Code	Q.Ty	ITALIANO	ENGLISH	DEUTSCH	ESPAÑOL	FRANCAIS
P2.003.008	6	Valvola VAM GM-1 ø25 ø28	Valve VAM GM-1 ø25 ø28	Ventil VAM GM-1 ø25 ø28	Válvula VAM GM-1 ø25 ø28	Valve VAM GM-1 ø25 ø28
P4.005.015	6	OR 3087	O-ring 3087	O-Ring 3087	OR 3087	Joint torique 3087
P4.005.014	6	NBR-3.53X25.8	O-ring ø3.15x25.80	O-Ring ø3.15x25.80	OR ø3.15x25.80	Joint torique ø3.15x25.80

P9.001.008  
VALVOLA COMPLETA POMPA GM-1 ø25 ø28 - KIT VALVES



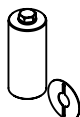
Code	Q.Ty	ITALIANO	ENGLISH	DEUTSCH	ESPAÑOL	FRANCAIS
P4.005.017	3	OR 1.78x37.82 GM	O-ring 1.78x37.82 GM	O-Ring 1.78x37.82 GM	OR 1.78x37.82 GM	Joint torique 1.78x37.82 GM
P4.100.008	3	Tenuta pistone anteriore ø25xø40x10	Front piston seal ø25xø40x10	Front Kolbendichtung ø25xø40x10	Junta del pistón delantero ø25xø40x10	Joint de piston avant ø25xø40x10
P4.100.013	3	Tenuta pistone posteriore ø25xø33x8	Piston seal back ø25xø33x8	Kolbendichtung zurück ø25xø33x8	Piston sellado posterior ø25xø33x8	Piston joint arrière ø25xø33x8

P9.003.009  
GUARNIZIONE PISTONE ø25 POMPA GM-1 - KIT PLUNGER SEALS



Code	Q.Ty	ITALIANO	ENGLISH	DEUTSCH	ESPAÑOL	FRANCAIS
P1.024.034	1	Diffusore ø25 (GM-1)	Diffusor ø25 (GM-1)	Diffusor ø25 (GM-1)	Diffusor ø25 (GM-1)	Diffuseur ø25 (GM-1)
P4.100.008	1	Tenuta pistone anteriore ø25xø40x10	Front piston seal ø25xø40x10	Front Kolbendichtung ø25xø40x10	Junta del pistón delantero ø25xø40x10	Joint de piston avant ø25xø40x10
P2.118.013	1	Pressore GM-1 ø25	Pressure Ring GM-1 ø25	Bague de pression GM-1 ø25	Anillo de presión GM-1 ø25	Bague de pression GM-1 ø25

P9.003.021  
GUARNIZIONE PISTONE ø25 POMPA GM-1 PACCO COMPLETO - KIT COMPLETE SEALS



Code	Q.Ty	ITALIANO	ENGLISH	DEUTSCH	ESPAÑOL	FRANCAIS
P1.003.004	1	Rondella	Washer	Unterlegscheibe	Arandela	Rondelle
P1.071.008	1	Pistone GM-1 ø25	Piston GM-1 ø25	Kolben GM-1 ø25	Pistón GM-1 ø25	Piston GM-1 ø25
P2.119.005	1	Vite M6X60	Screw M6X60	Schrauben M6X60	Tornillo M6X60	Vis M6X60

P9.004.011  
PISTONE ø25 POMPA GM-1 - KIT CERAMIC PISTON



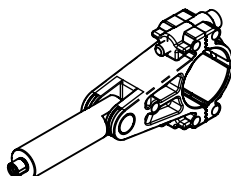
Code	Q.Ty	ITALIANO	ENGLISH	DEUTSCH	ESPAÑOL	FRANCAIS
P4.015.004	3	Anello D32-d22x5.5	Ring D32-d22x5.5	Ring D32-d22x5.5	Anillo D32-d22x5.5	Bague D32-d22x5.5

P9.039.002  
ANELLI TENUTA OLIO ASTA POMPA GM-XM - KIT OIL SEALS



Code	Q.Ty	ITALIANO	ENGLISH	DEUTSCH	ESPAÑOL	FRANCAIS
P2.013.027	1	Tappo 3/4" GAS	Cap 3/4" GAS	Deckel 3/4" GAS	Tapón 3/4" GAS	Bouchon 3/4" GAS
P2.013.028	1	Tappo 1/2" GAS	Cap 1/2" GAS	Deckel 1/2" GAS	Tapón 1/2" GAS	Bouchon 1/2" GAS
P2.035.030	1	Testata pompa ø25 GM-CW	Pump head ø25 GM-CW	Pumpekopf ø25 GM-CW	Cabeza bomba ø25 GM-CW	Tete de pompe ø25 GM-CW
P4.043.001	1	Protezione ø20	Protection ø20	Schutz ø20	Protección ø20	Protection ø20
P4.043.003	1	Protezione ø26.5	Protection ø26.5	Schutz ø26.5	Protección ø26.5	Protection ø26.5

P9.040.026  
TESTATA COMPLETA PISTONE ø25 POMPA GM-1 CW - COMPLETE HEAD OF THE PUMP

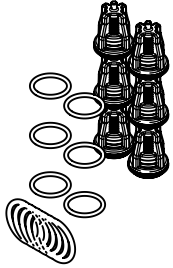


Code	Q.Ty	ITALIANO	ENGLISH	DEUTSCH	ESPAÑOL	FRANCAIS
P2.150.007	1	Biella GM-1 / XM-1	Connecting rod GM-1 / XM-1	Plenelstange GM-1 / XM-1	Biela GM-1 / XM-1	Bielle GM-1 / XM-1
P4.002.017	2	Vite TCEI M8x40 UNI5931-67	Screw TCEI M8x40 UNI5931-67	Schrauben TCEI M8x40 UNI5931-67	Tornillo TCEI M8x40 UNI5931-67	Vis TCEI M8x40 UNI5931-67

P9.041.005  
BIELLA -ASTA POMPA GM-1 - XM-1 - PREASSEMBLED CONNECTING ROD

# Spare parts GM "CW" ø28

## Ricambi GM "CW" ø28



Code	Q.Ty	ITALIANO	ENGLISH	DEUTSCH	ESPAÑOL	FRANCAIS
P2.003.008	6	Valvola VAM GM-1 ø25 ø28	Valve VAM GM-1 ø25 ø28	Ventil VAM GM-1 ø25 ø28	Válvula VAM GM-1 ø25 ø28	Valve VAM GM-1 ø25 ø28
P4.005.015	6	OR 3087	O-ring 3087	O-Ring 3087	OR 3087	Joint torique 3087
P4.005.014	6	NBR-3.53X25.8	O-ring ø3.15x25.80	O-Ring ø3.15x25.80	OR ø3.15x25.80	Joint torique ø3.15x25.80

P9.001.008  
VALVOLA COMPLETA POMPA GM-1 ø25 ø28 - **KIT VALVES**



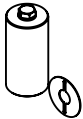
Code	Q.Ty	ITALIANO	ENGLISH	DEUTSCH	ESPAÑOL	FRANCAIS
P4.005.017	3	OR 1.78x37.82 GM	O-ring 1.78x37.82 GM	O-Ring 1.78x37.82 GM	OR 1.78x37.82 GM	Joint torique 1.78x37.82 GM
P4.100.009	3	Tenuta pistone anteriore ø28xø40x10	Front piston seal ø28xø40x10	Front Kolbendichtung ø28xø40x10	Junta del pistón delantero ø28xø40x10	Joint de piston avant ø28xø40x10
P4.100.014	3	Tenuta pistone posteriore ø28xø36x8	Piston seal back ø28xø36x8	Kolbendichtung zurück ø28xø36x8	Piston sellado posterior ø28xø36x8	Piston joint arrière ø28xø36x8

P9.003.011  
GUARNIZIONE PISTONE ø28 POMPA GM-1 - **KIT PLUNGER SEALS**



Code	Q.Ty	ITALIANO	ENGLISH	DEUTSCH	ESPAÑOL	FRANCAIS
P1.024.035	1	Diffusore ø28 GM-1	Diffusor ø28 GM-1	Diffusor ø28 GM-1	Difusor ø28 GM-1	Diffuseur ø28 GM-1
P4.100.009	1	Tenuta pistone anteriore ø28xø40x10	Front piston seal ø28xø40x10	Front Kolbendichtung ø28xø40x10	Junta del pistón delantero ø28xø40x10	Joint de piston avant ø28xø40x10
P2.118.017	1	Pressore GM-1 ø28	Pressure Ring GM-1 ø28	Bague de pression GM-1 ø28	Anillo de presión GM-1 ø28	Bague de pression GM-1 ø28

P9.003.022  
GUARNIZIONE PISTONE ø28 POMPA GM-1 PACCO COMPLETO - **KIT COMPLETE SEALS**



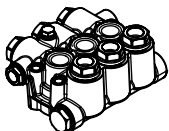
Code	Q.Ty	ITALIANO	ENGLISH	DEUTSCH	ESPAÑOL	FRANCAIS
P1.003.004	1	Rondella	Washer	Unterlegscheibe	Arandela	Rondelle
P1.071.011	1	Pistone GM-1 ø28	Piston GM-1 ø28	Kolben GM-1 ø28	Pistón GM-1 ø28	Piston GM-1 ø28
P2.119.005	1	Vite M6X60	Screw M6X60	Schrauben M6X60	Tornillo M6X60	Vis M6X60

P9.004.012  
PISTONE ø28 POMPA GM-1 - **KIT CERAMIC PISTON**



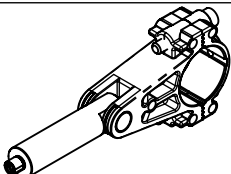
Code	Q.Ty	ITALIANO	ENGLISH	DEUTSCH	ESPAÑOL	FRANCAIS
P4.015.004	3	Anello D32-d22x5.5	Ring D32-d22x5.5	Ring D32-d22x5.5	Anillo D32-d22x5.5	Bague D32-d22x5.5

P9.039.002  
ANELLI TENUTA OLIO ASTA POMPA GM-XM - **KIT OIL SEALS**



Code	Q.Ty	ITALIANO	ENGLISH	DEUTSCH	ESPAÑOL	FRANCAIS
P2.013.027	1	Tappo 3/4" GAS	Cap 3/4" GAS	Deckel 3/4" GAS	Tapón 3/4" GAS	Bouchon 3/4" GAS
P2.013.028	1	Tappo 1/2" GAS	Cap 1/2" GAS	Deckel 1/2" GAS	Tapón 1/2" GAS	Bouchon 1/2" GAS
P2.035.031	1	Testata pompa ø28 GM-CW	Pump head ø28 GM-CW	Pumpekopf ø28 GM-CW	Cabeza bomba ø28 GM-CW	Tete de pompe ø28 GM-CW
P4.043.001	1	Protezione ø20	Protection ø20	Schutz ø20	Protección ø20	Protection ø20
P4.043.003	1	Protezione ø26.5	Protection ø26.5	Schutz ø26.5	Protección ø26.5	Protection ø26.5

P9.040.027  
TESTATA COMPLETA PISTONE ø28 POMPA GM-1 CW - **COMPLETE HEAD OF THE PUMP**



Code	Q.Ty	ITALIANO	ENGLISH	DEUTSCH	ESPAÑOL	FRANCAIS
P2.150.007	1	Biella GM-1 / XM-1	Connecting rod GM-1 / XM-1	Plenelstange GM-1 / XM-1	Biela GM-1 / XM-1	Bielle GM-1 / XM-1
P4.002.017	2	Vite TCEI M8x40 UNI5931-67	Screw TCEI M8x40 UNI5931-67	Schrauben TCEI M8x40 UNI5931-67	Tornillo TCEI M8x40 UNI5931-67	Vis TCEI M8x40 UNI5931-67

P9.041.005  
BIELLA -ASTA POMPA GM-1 - XM-1 - **PREASSEMBLED CONNECTING ROD**

# Pump head ø25 GM-CW

## Testata pompa ø25 GM-CW



Use LOCTITE 270.  
**TIGHTENING TORQUE**  
**40 Nm**

Spare parts  
P9.003.009

Spare parts  
P9.001.008

**TIGHTENING TORQUE**  
**25Nm**

1  
5

Use LOCTITE 270.  
**TIGHTENING TORQUE**  
**40 Nm**

Spare parts  
P9.001.008

Spare parts  
P9.003.021

**P2.035.030.C**  
*Spare parts P9.040.026*

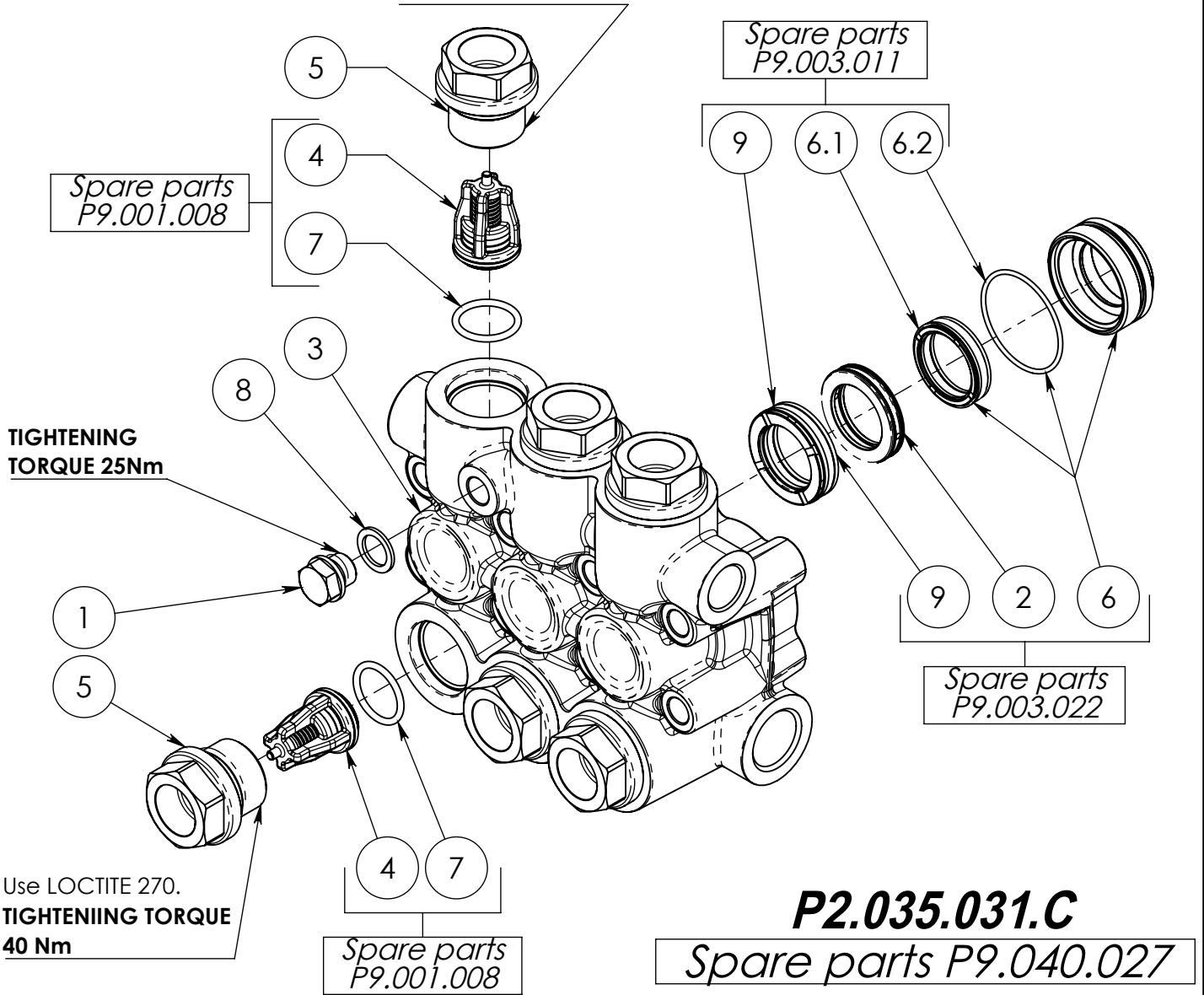
Pos.	Q.Ty	Code	ITALIANO	ENGLISH	DEUTSCH	ESPAÑOL	FRANCAIS
1	1	P1.012.017	Tappo G 1/4 H18	Cap G 1/4 H18	Deckel G 1/4 H18	Tapón G 1/4 H18	Bouchon G 1/4 H18
2	3	P1.024.034	Diffusore ø25 (GM-1)	Diffusor ø25 (GM-1)	Diffusor ø25 (GM-1)	Difusor ø25 (GM-1)	Diffuseur ø25 (GM-1)
3	1	P1.043.017	Testata pompa (ø25-ø28) -Ni-	Pump head (ø25-ø28) -Ni-	Pumpekopf (ø25-ø28) -Ni-	Cabeza bomba (ø25-ø28) -Ni-	Tete de pompe (ø25-ø28) -Ni-
4	6	P2.003.008	Valvola VAM GM-1 ø25 ø28	Valve VAM GM-1 ø25 ø28	Ventil VAM GM-1 ø25 ø28	Válvula VAM GM-1 ø25 ø28	Valve VAM GM-1 ø25 ø28
5	6	P2.013.016	Tappo TGM-1 M30x1.5 + OR	Cap TGM-1 M30x1.5 + OR	Deckel TGM-1 M30x1.5 + OR	Tapón TGM-1 M30x1.5 + OR	Bouchon TGM-1 M30x1.5 + OR
6	3	P2.118.013	Pressore GM-1 ø25	Pressure Ring GM-1 ø25	Bague de pression GM-1 ø25	Anillo de presión GM-1 ø25	Bague de pression GM-1 ø25
6.1	1	P4.100.013	Tenuta pistone posteriore ø25xø33x8	Piston seal back ø25xø33x8	Kolbendichtung zuruck ø25xø33x8	Pistón sellado posterior ø25xø33x8	Piston joint arriere ø25xø33x8
6.2	1	P4.005.017	OR 1.78x37.82 GM	O-ring 1.78x37.82 GM	O-Ring 1.78x37.82 GM	OR 1.78x37.82 GM	Joint torique 1.78x37.82 GM
7	6	P4.005.015	OR 3087	O-ring 3087	O-Ring 3087	OR 3087	Joint torique 3087
8	1	P4.008.007	Rondella Rame 1/4 Ø13x19x1.5	Copper washer 1/4 Ø13x19x1.5	Kupferunterlegsscheibe 1/4 Ø13x19x1.5	Arandela de cobre 1/4 Ø13x19x1.5	Rondelle cuivre 1/4 Ø13x19x1.5
9	3	P4.100.008	Tenuta pistone anteriore ø25xø40x10	Front piston seal ø25xø40x10	Front Kolbendichtung ø25xø40x10	Junta del pistón delantero ø25xø40x10	Joint de piston avant ø25xø40x10

# Pump head ø28 GM-CW

## Testata pompa ø28 GM-CW



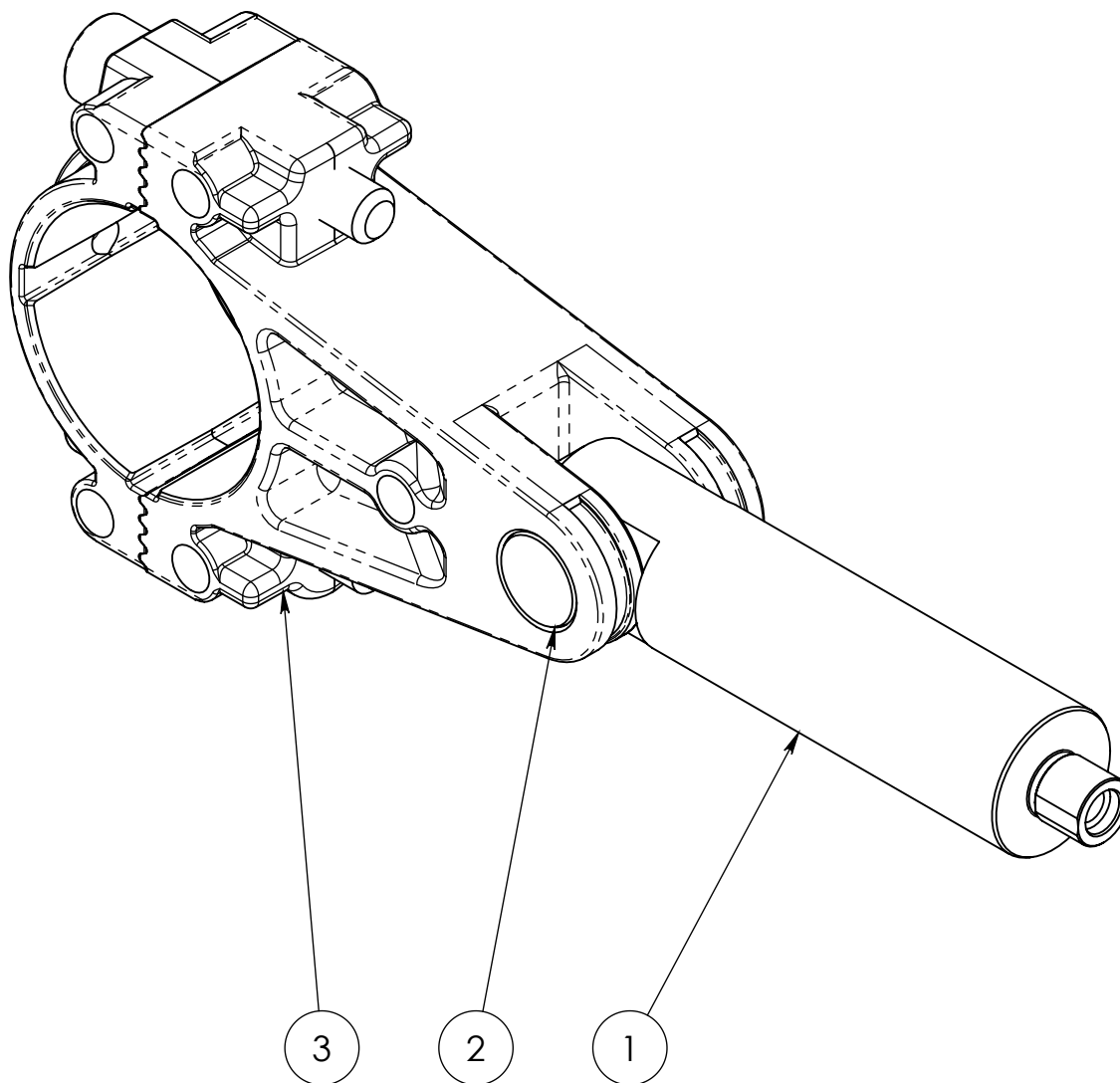
Use LOCTITE 270.  
TIGHTENING TORQUE  
40 Nm



Pos.	Q.Ty	Code	ITALIANO	ENGLISH	DEUTSCH	ESPAÑOL	FRANCAIS
1	1	P1.012.017	Tappo G 1/4 H18	Cap G 1/4 H18	Deckel G 1/4 H18	Tapón G 1/4 H18	Bouchon G 1/4 H18
2	3	P1.024.035	Diffusore ø28 GM-1	Diffusor ø28 GM-1	Diffusor ø28 GM-1	Difusor ø28 GM-1	Diffuseur ø28 GM-1
3	1	P1.043.017	Testata pompa (ø25-ø28) -Ni-	Pump head (ø25-ø28) -Ni-	Pumpekopf (ø25-ø28) -Ni-	Cabeza bomba (ø25-ø28) -Ni-	Tete de pompe (ø25-ø28) -Ni-
4	6	P2.003.008	Valvola VAM GM-1 ø25 ø28	Valve VAM GM-1 ø25 ø28	Ventil VAM GM-1 ø25 ø28	Válvula VAM GM-1 ø25 ø28	Valve VAM GM-1 ø25 ø28
5	6	P2.013.016	Tappo TGM-1 M30x1.5 + OR	Cap TGM-1 M30x1.5 + OR	Deckel TGM-1 M30x1.5 + OR	Tapón TGM-1 M30x1.5 + OR	Bouchon TGM-1 M30x1.5 + OR
6	3	P2.118.017	Pressore GM-1 ø28	Pressure Ring GM-1 ø28	Bague de pression GM-1 ø28	Anillo de presión GM-1 ø28	Bague de pression GM-1 ø28
6.1	1	P4.100.014	Tenuta pistone posteriore ø28xø36x8	Piston seal back ø28xø36x8	Kolbendichtung zuruck ø28xø40x10	Pistón sellado posterior ø28xø36x8	Piston joint arriere ø28xø36x8
6.2	1	P4.005.017	OR 1.78x37.82 GM	O-ring 1.78x37.82 GM	O-Ring 1.78x37.82 GM	OR 1.78x37.82 GM	Joint torique 1.78x37.82 GM
7	6	P4.005.015	OR 3087	O-ring 3087	O-Ring 3087	OR 3087	Joint torique 3087
8	1	P4.008.007	Rondella Rame 1/4 Ø13x19x1.5	Copper washer 1/4 Ø13x19x1.5	Kupferunterlegsscheibe 1/4 Ø13x19x1.5	Arandela de cobre 1/4 Ø13x19x1.5	Rondelle cuivre 1/4 Ø13x19x1.5
9	3	P4.100.009	Tenuta pistone anteriore ø28xø40x10	Front piston seal ø28xø40x10	Front Kolbendichtung ø28xø40x10	Junta del pistón delantero ø28xø40x10	Joint de piston avant ø28xø40x10

# Connecting rod GM-1 / XM-1

Biella GM-1 / XM-1



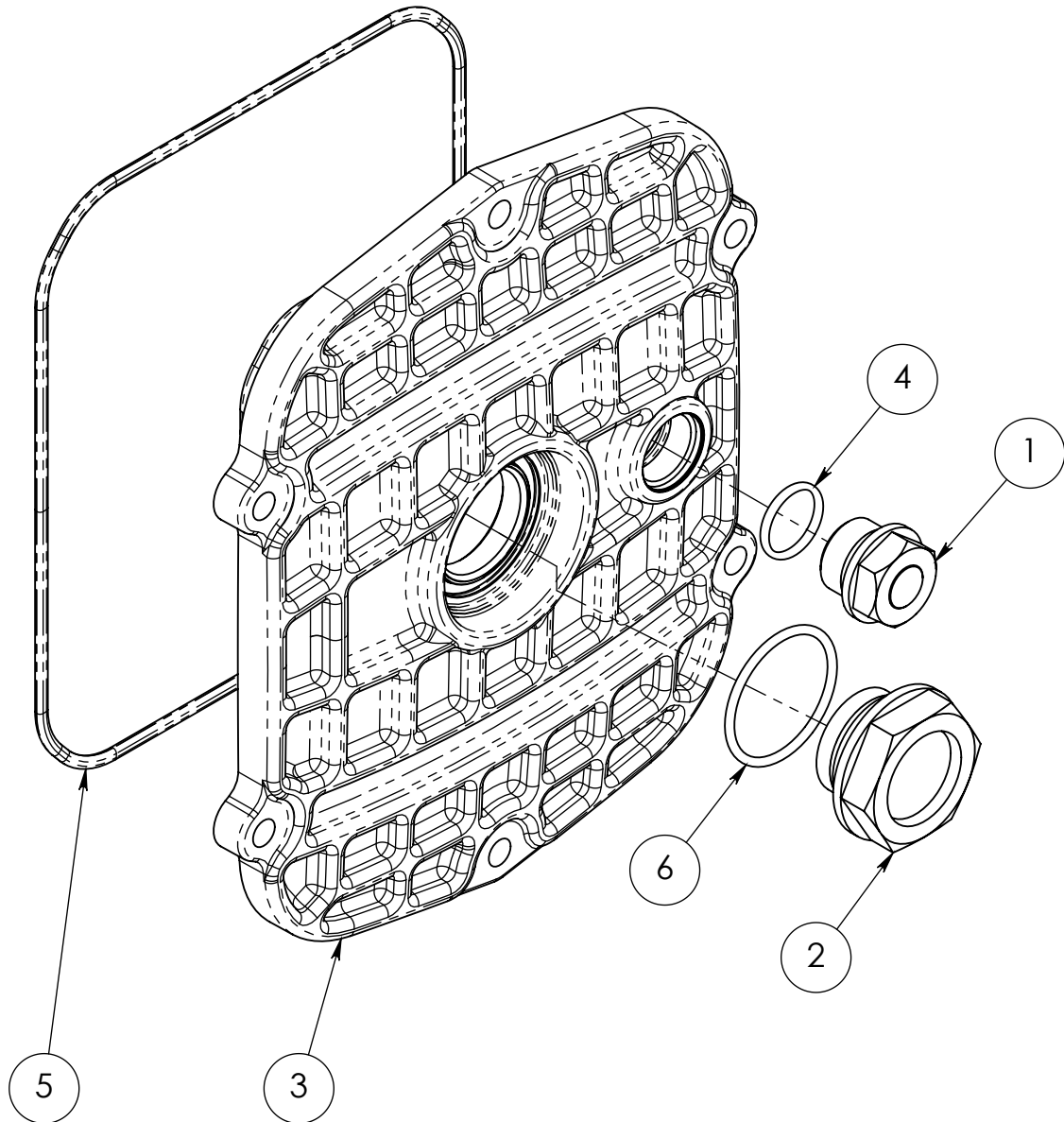
**P2.150.007.B**

*Spare parts P9.041.005*

Pos.	Q.Ty	Code	ITALIANO	ENGLISH	DEUTSCH	ESPAÑOL	FRANCAIS
1	1	P1.010.007	Asta GM-1	Pole GM-1	Pfosten GM-1	Asta GM-1	Tige GM-1
2	1	P1.013.003	Spina cilindrica	Cylindrical pin	Zylinder Stiff	Pasador cilindrico	Goupille cylindrique
3	1	P1.099.010	Biella GM-1 / XM-1	Connecting rod GM-1 / XM-1	Plenelstange GM-1 / XM-1	Biela GM-1 / XM-1	Bielle GM-1 / XM-1

# Cover GM-1/XM-1

## Coperchio GM-1/XM-1



**P2.012.005.E**

Pos.	Q.Ty	Code	ITALIANO	ENGLISH	DEUTSCH	ESPAÑOL	FRANCAIS
1	1	P1.012.003	Tappo G 3/8" H18	Cap G 3/8" H18	Deckel G 3/8" H18	Tapón G 3/8" H18	Bouchon G 3/8" H18
2	1	P1.012.015	Tappo G3/4	Cap G3/4	Deckel G3/4	Tapón G3/4	Bouchon G3/4
3	1	P1.054.011	Coperchio	Cover	Deckel	Tapa	Couvercle
4	1	P4.005.007	Guarnizione OR 2056 14x1.78NBR 70Sh	Gasket OR 2056 14x1.78NBR 70Sh	Dichtung OR 2056 14x1.78NBR 70Sh	Guarnición OR 2056 14x1.78NBR 70Sh	Garniture OR 2056 14x1.78NBR 70Sh
5	1	P4.005.020	OR ø2.62x152.07 NBR 70sh	O-ring ø2.62x152.07 NBR 70sh	O-Ring ø2.62x152.07 NBR 70sh	OR ø2.62x152.07 NBR 70sh	Joint torique ø2.62x152.07 NBR 70sh
6	1	P4.005.030	OR ORM0285-20 (NBR)	O-ring ORM0285-20 (NBR)	O-Ring ORM0285-20 (NBR)	OR ORM0285-20 (NBR)	Joint torique ORM0285-20 (NBR)